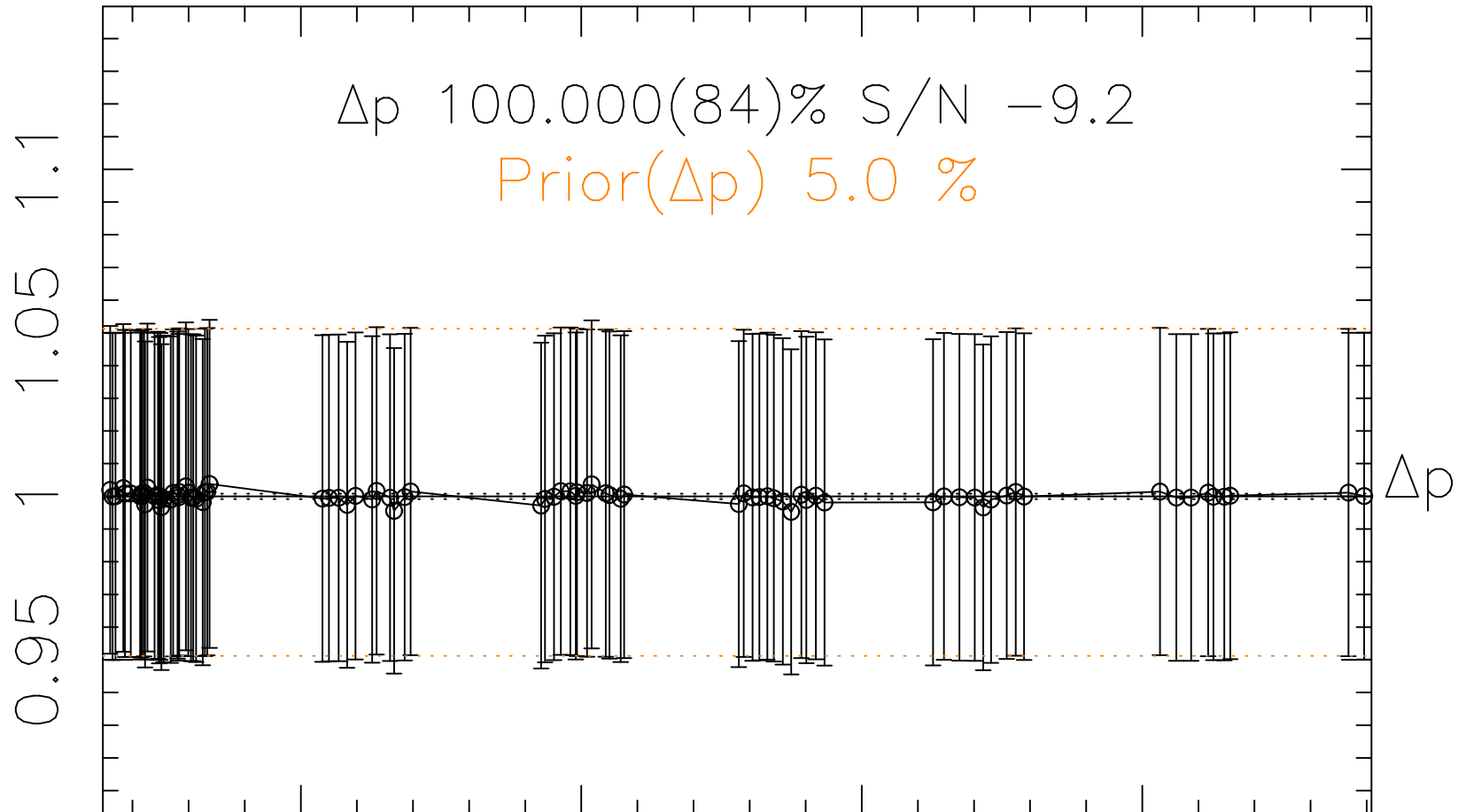


Phot Corrections

rm704

med(mad)%

Δp 1



7000

7500

8000

8500

MJD - 2450000